



SILK+

ARTERY RECONSTRUCTION DEVICE



**Evolution towards
enhanced CONTROL**



Silk+



L'INNOVATION SUR MESURE*
www.balt.fr

* innovation, made to measure.

SILK+, THE EVOLUTION OF THE SILK FLOW DIVERTER:

a high density braided stent for the treatment of intracranial aneurysms.



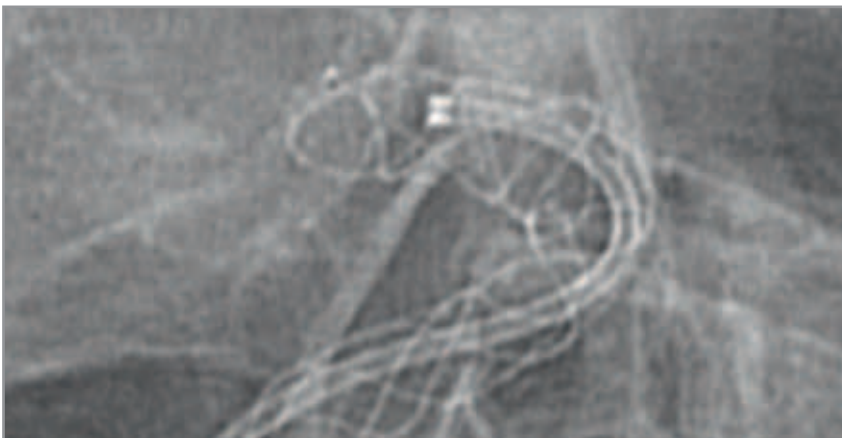
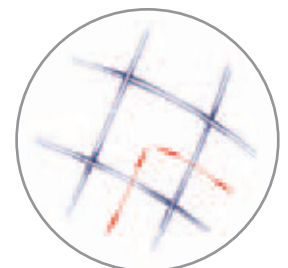
● Superior Braided-Wire Technology Management

- 48 wires, that form a dense mesh across the aneurysm neck
- The sliding cells of BALT's proprietary Braided-Wire technology ensure high vessel conformability
- SILK+ employs high density scaffolding enabling effective occlusion across the neck of the aneurysm

● SILK+: Increased RADIAL FORCE for an EASIER deployment

SILK+ has 15 % more radial force than the original SILK thanks to an optimization of wires struts' configuration.

SILK+ is designed for facilitating the deployment and vessel wall apposition even in challenging anatomies.



● Higher RADIO OPACITY

Increased visibility during and after deployment thanks to 8 extra Platinum smaller wires in the braiding of the stent in addition to the 4 radio opaque markers.



● **EASIER DEPLOYMENT also** thanks to improvements in the stent delivery wire:

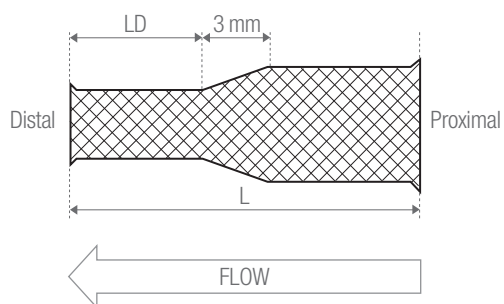
- Greater slide capacity,
- Extra supple and shorter (9 mm) distal radio opaque tip.

● **OPTIMAL CONTROL**

SILK+ is resheatable and repositionable when deployed up to 90 %.

● The **TAPERED OPTION**

Tapered SILK+ are available for vessels with a discrepancy between their proximal and distal diameters.



SILK+2,0

SILK+2,5

SILK+3,0

SILK+3,5

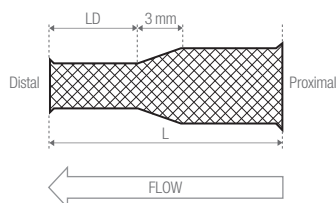
SILK+4,0

SILK+4,5

SILK+5,0

SILK+5,5

REFERENCE	VESSEL Ø (MM)		SILK+ LENGTH AT NOMINAL Ø (MM)		DELIVERY CATHETER	UNCONSTRAINED STENT									
	PROXIMAL	DISTAL	PROXIMAL	DISTAL		Ø (MM)	LENGTH (MM)								
SILK2,0 x 15 SILK2,0 x 20	1,50 to 2,25		15 20		VASCO+21 (2.4F)	2.5	7 9								
	2,00 to 2,75		15 20 25				VASCO+21 (2.4F)	3.0	5 7 10						
SILK3,0 x 15 SILK3,0 x 20 SILK3,0 x 25 SILK3,0 x 30	2,50 to 3,25		15 20 25 30		VASCO+21 (2.4F)	3.5			6 8 10 12						
	3,00 to 3,75		15 20 25 30 35						VASCO+21 (2.4F)	4.0	7 9 12 13 17				
	SILK4,0 x 15 SILK4,0 x 20 SILK4,0 x 25 SILK4,0 x 30 SILK4,0 x 35 SILK4,0 x 40	3,50 to 4,25		15 20 25 30 35 40				VASCO+21 (2.4F)			4.5	8 11 14 17 21 23			
		4,00 to 4,75		15 20 25 30 35 40								VASCO+21 (2.4F)	5.0	7 10 13 16 19 22	
SILK5,0 x 25 SILK5,0 x 30 SILK5,0 x 40		4,50 to 5,25		25 30 40		VASCO+25 (3F)	5.5							13 15 21	
		SILK5,5 x 25 SILK5,5 x 30 SILK5,5 x 40	5,00 to 5,75		25 30 40										VASCO+25 (3F)



THE TAPERED SILK+

REFERENCE	VESSEL Ø (MM)		SILK+ LENGTH AT NOMINAL Ø (MM)		DELIVERY CATHETER	UNCONSTRAINED STENT	
	PROXIMAL	DISTAL	PROXIMAL	DISTAL		Ø (MM)	LENGTH (MM)
SILKP4,0D3,0x30	3,50 to 4,25	2,50 to 3,25	16	10	VASCO+21	4,5/3,5	15
SILKP4,5D3,5x30	4,00 to 4,75	3,00 to 3,75	16	14	VASCO+21	5,0/4,0	14



10, rue de la Croix Vigneron
95160 Montmorency • France
Tél. : +33 (0)1 39 89 46 41
Fax : +33 (0)1 34 17 03 46
www.balt.fr



Refer to the table above and/or to the i-Balt application to choose the correct size of the SILK+ according to the vessel's diameter and length.

The iBalt application is available on the APPSTORE for iPhone and can be downloaded from www.balt.fr for your PC.